

ULTRA-DEX USA

AMERICAN MADE QUALITY CUTTING TOOLS

RETENTION
KNOBS
on other side!

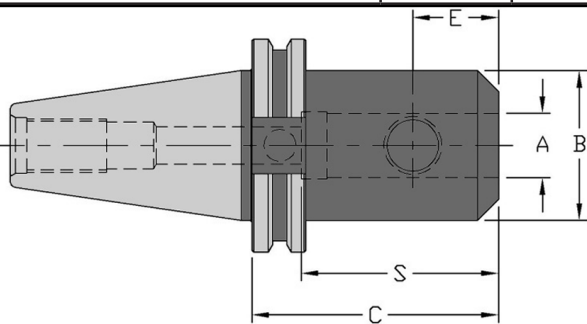
SALE



\$69

CAT40 End Mill Holders (Balanced to 12,000 G6.3)

Designation	A Endmill Size	B Outside Dia.	C Proj.	S Max Depth	E	Set Screw	List Price
CT40-EM375-400-G6	.375	1.000	4.00	--	.75	SS3-8-375	\$81.51
CT40-EM500-400-G6	.500	1.375	4.00	--	.88	SS7/16-500	\$81.51
CT40-EM625-300-G6	.625	1.500	3.00	2.10	.94	SS9/16-500	\$81.51
CT40-EM750-300-G6	.750	1.750	3.00	2.30	1.00	SS5/8-500	\$81.51



Pick A
CAT40
EndMill
Holder

- CT40-EM375-400-G6
- CT40-EM500-400-G6
- CT40-EM625-300-G6
- CT40-EM750-300-G6

AMERICAN MADE AMERICAN MADE AMERICAN MADE AMERICAN MADE AMERICAN MADE

Distributed by:

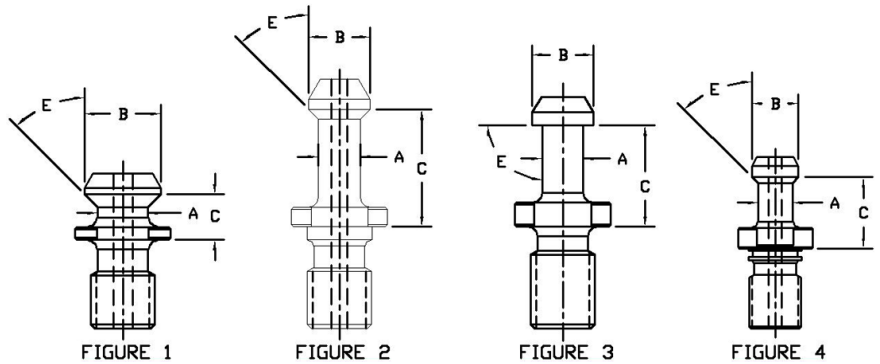
OFFER VALID SEPT 1st - Nov 30th

ULTRA-DEX USA

call: 810.638.5388 fax: 810.638.4001 info@ultradexusa.com

RETENTION KNOBS

**MICHIGAN
MADE**



CAT40 Retention Knobs



CAT50 Retention Knobs

Designation	A	B	C	E	Thread	Coolant Thru	Figure	Price
PSC-475	.490	.740	.440	45°	5/8-11	YES	1	\$10.87
PS-475	.490	.740	.440	45°	5/8-11	NO	1	\$9.35
PS-532x15	.551	.747	.791	75°	5/8-11	NO	1	\$10.87
PSC-532x45	.392	.591	.984	45°	5/8-11	YES	2	\$11.44
PS-532x45	.392	.591	.984	45°	5/8-11	NO	2	\$10.87
PS-532x60	.392	.591	.984	60°	5/8-11	NO	2	\$10.87
PS-532x90	.392	.591	.984	90°	5/8-11	NO	2	\$10.87
PS-498	.392	.591	.775	90°	5/8-11	NO	3	\$11.44
PSC-552	.406	.594	1.139	45°	5/8-11	YES	2	\$13.53
PS-552	.406	.594	1.139	45°	5/8-11	NO	2	\$12.49

Designation	A	B	C	E	Thread	Coolant Thru	Figure	Price
PSC-535x45	.667	.904	1.384	45°	1-8	YES	4	\$19.80
PS-535x45	.667	.904	1.384	45°	1-8	NO	4	\$17.71
PSC-536x45	.667	.904	1.384	45°	1-8	YES	2	\$17.71
PS-536x45	.667	.904	1.384	45°	1-8	NO	2	\$15.62
PS-536x60	.667	.904	1.384	60°	1-8	NO	2	\$15.62
PS-536x90	.667	.904	1.384	90°	1-8	NO	2	\$15.62
PSC-274	.820	1.140	.700	45°	1-8	YES	1	\$18.76
PS-274	.820	1.140	.700	45°	1-8	NO	1	\$16.67
PSC-271x15	.826	1.102	1.350	15°	1-8	YES	1	\$17.71

Quick Reference Guide

Each CAT taper machine requires its own style retention knob, below is a general quick reference of the most common manufacturers. Be sure to check which knob your machine requires to ensure proper fit.

CAT40

PSC-475 Fits Cincinnati Milacron, Maho, Mazak, Matsura

PS-475 Fits Acroloc-Bayer, Maho, Mazak

PSC-532x45 Fits Amura-Seiki, Comet, Daewoo, Dah Lih, Haas, HowaKogyo, Ikegai, Kearny-Trecker, Kia, Kitamura, Miyano, Okuma Howa, YCI

PS-532x45 Fits Amura-Seiki, Comet, Daewoo, Dah Lih, Haas, HowaKogyo, Ikegai, Kearny-Trecker, Kia, Kitamura, Miyano, Okuma Howa, YCI

PS-532x60 Fits Hitachi-Seiki, Kia, Mitsubishi, Okuma, Matsura, Howa Kogyo, Milltronic

PS-532x90 Fits Kia, Mori Seiki

PS-498 Fits Mazak

PS-552 Fits Cincinnati Milacron

PSC-552 Fits Cincinnati Milacron

CAT50

PS-536x45 Fits Dah Lih, Haas, Ikegai, Kitamura, LeBlond Makino, YCI

PSC-536x45 Fits Haas, LeBlond Makino

PS-536x60 Fits Mitsubishi, Okuma, Matsura

PS-536x90 Fits Hatachi-Seiki, Mori Seiki, Mazak

PS-274 Fits Mazak

PSC-274 Fits Burgmaster, Devlieg, Excello, Maho, Matsura, Mazak



ULTRA-DEX USA

Please Note: Retention Knobs are available in many different types and sizes. Ultra-Dex USA has provided a list with common machines that fit each of our knobs. Due to the vast amount of machines, please check each machine to verify that you are ordering the proper knob. Retention Knob dimensions for each machine can be typically found in the user manual or next to the power supply.