



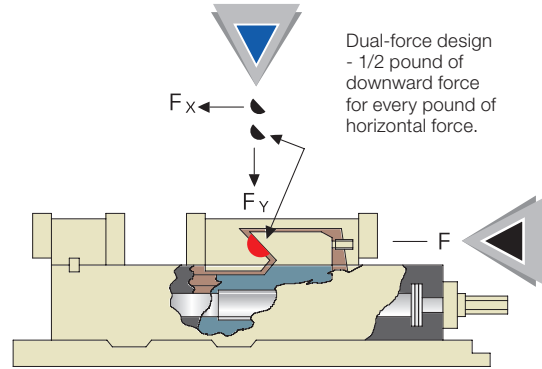
PALMGREN[®]
a CH Hanson brand

FRIENDS OF PALMGREN SPECIAL OFFERS

WORKHOLDING SALES EVENT



Palmgren's Dual Force line of machine vises are all designed for precision part clamping and are ideal for use in running production parts where datum's, flatness and parallelism is key. The Dual Force design allows the moveable jaw to deliver a 1/2 pound of downward force for every pound of horizontal force, preventing parts from lifting upward under heavy clamping loads. This line of vises is built to provide the strength and rigidity to hold all parts securely and accurately, large and small, while they absorb and dampen machine vibration.



Our precision premium machine vises will optimize your manufacturing workholding processes.

- Hardened jaw plates and vise bed
- Repeatability within 0.001"
- Bed heights matched to +/- 0.0004"
- Parallelism of keyways on the bottom of the vise bed to the jaw face +/- 0.0008"
- 80,000 PSI ductile iron castings
- LIFETIME GUARANTEE



9625927

Item #	Description	List Price	SALE
9625927	4" x 6" Dual Force Machine Vise	\$605.00	\$476.00
9625925	5" x 7" Dual Force Machine Vise	\$665.00	\$486.00
9625928	6" x 7.5" Dual Force Machine Vise	\$699.00	\$492.00
9625929	6" x 8.9" Dual Force Machine Vise	\$730.00	\$499.00
9625930	8" x 10" Dual Force Machine Vise	\$1,520.00	\$1,330.00

SWIVEL BASES

Item #	Description	List Price	SALE
9625911	4" Swivel Base	\$129.00	\$116.00
9625915	5" Swivel Base	\$157.00	\$141.00
9625921	6" Swivel Base	\$222.00	\$199.00
9625931	8" Swivel Base	\$243.00	\$219.00



SPEED HANDLES

Item #	Description	List Price	SALE
9625912	4" Speed Handle	\$69.00	\$62.00
9625913	6" Speed Handle	\$83.00	\$75.00
9625914	8" Speed Handle	\$89.00	\$80.00



DUAL FORCE PRECISION CNC MACHINE VISE

- Both sides are precision ground square to the bottom of the vise with in .0004"
- The vise can be mounted on its base/bottom, on either side or positioned on its end in the vertical position
- 80,000 PSI ductile iron castings
- Hardened jaw plates and vise bed
- LIFETIME GUARANTEE



9626600

Item #	Description	List Price	SALE
9626600	4" x 5" Dual Force CNC Machine Vise	\$758.00	\$644.00
9626610	6" x 6" Dual Force CNC Machine Vise	\$952.00	\$809.00

DUAL FORCE MULTI-FUNCTION PRECISION MACHINE VISES

- Model 9625932 is standard with the traditional push style moveable jaw
- Model 9625933 is standard with a pull style moveable jaw. This configuration provides an added benefit of easier part programming in the "Y" axis. It also reduces the reach-over distance, making part loading and unloading easier.
- The lighter design vises can be mounted on its base/bottom, on either side or upright.
- 0.0005" clamping repeatability
- 80,000 PSI ductile iron castings
- LIFETIME GUARANTEE



9625933



9625932

Item #	Description	List Price	SALE
9625932	6" x 6" Push Type Dual Force Vise	\$1,220.00	\$976.00
9625933	6" x 6" Pull Type Dual Force Vise	\$1,149.00	\$919.00

DUAL FORCE PRECISION MECHANICAL BOOSTER MACHINE VISES

- Dual Force anti-lift mechanism
- Patented precise clamping force regulation delivers optimum clamping pressure all the time
- Patented mechanical booster provides consistent clamping force resisting shocks and vibrations created under high machining pressure
- Unique chip cover design protects spindle and nut while facilitating the evacuation of chips
- Larger openings increases clamping capacities and options
- 0.0005" clamping repeatability
- Parallelism of the face to the vise bed 0.0004"
- Parallelism of the keyways to the jaw face 0.0006"
- Height tolerance is within +/- 0.0004"
- LIFETIME GUARANTEE



9626600

Item #	Description	List Price	SALE
9625954	4" x 5" Dual Force Mechanical Booster Machine Vise	\$1,929.00	\$1,736.00
9625955	5" x 7" Dual Force Mechanical Booster Machine Vise	\$2,030.00	\$1,827.00
9625956	6" x 13" Dual Force Mechanical Booster Machine Vise	\$2,872.00	\$2,584.00
9625958	8" x 14" Dual Force Mechanical Booster Machine Vise	\$3,510.00	\$3,159.00



DUAL FORCE PRECISION DOUBLE STATION MACHINE VISE

- Equipped with Dual Force anti-lift mechanism at both ends of the vise
- 80,000 PSI ductile iron casting deliver the strength, rigidity and long term accuracy required while absorbing machine vibration
- Can be mounted horizontally or vertically
- One handle operates the two moveable jaws
- Unit can clamp two of the same size parts or different size parts
- Clamping force equalization—the same force is applied to both parts whether they are the same size or not
- Precision ground on all sides
- Height tolerance is within .001" so several vises can be lined up parallel to each other
- Repeat clamping accuracy of .0002"
- Fixed center jaw has a machined keyway for accurate alignment and set up
- 6 different work piece clamping applications
- LIFETIME GUARANTEE



9625936

Item #	Description	List Price	SALE
9625935	4" Dual Force Double Station Vise	\$2,023.00	\$1,715.00
9625936	6" Dual Force Double Station Vise	\$2,336.00	\$1,995.00

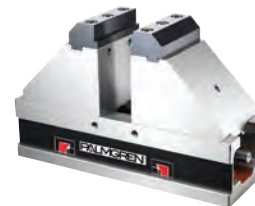


DUAL FORCE SELF-CENTERING VISE

Item #	Description	List Price	SALE
9625934	6" Dual Force Self-Centering Vise	\$2,619.00	\$2,226.00

DUAL FORCE 5 AXIS MACHINE VISES

Item #	Description	List Price	SALE
9625940	4" x 3" Dual Force 5 Axis Machine Vise	\$3,186.00	\$2,710.00
9625941	4" x 7" Dual Force 5 Axis Machine Vise	\$3,308.00	\$2,815.00



PARALLELS

Item #	Description	List Price	SALE
9638974	4" & 6" Parallels Set	\$286.00	\$257.00
9638976	6" Parallels Set	\$263.00	\$273.00
9638978	8" Parallels Set	\$298.00	\$255.00



9638978

T-SLOT CLAMP SETS

Item #	Description	List Price	SALE
9615500	T-slot clamp set - 7/16"	\$117.00	\$94.00
9615501	T-slot clamp set - 1/2"	\$126.00	\$99.00
9615502	T-slot clamp set - 5/8"	\$138.00	\$110.00
9615503	T-slot clamp set - 11/16"	\$157.00	\$125.00
9615504	T-slot clamp set - 3/4"	\$198.00	\$155.00



TOMBSTONES FOR DUAL FORCE VISES

Item #	Description	List Price	SALE
9626650	400 x 400mm Tombstone for 4" Jaw Width	\$3,249.00	\$3,087.00
9626651	500 x 500mm Tombstone for 4" & 6" Jaw Width	\$4,436.00	\$4,214.00
9626653	630 x 630mm Tombstone for 6" Jaw Width	\$6,924.00	\$6,577.00



9626651

JACK SCREWS

Very handy tool for leveling work on machine tables or fixtures, setting up machinery, and general use in the toolroom and machine shop.

- Each jack is designed with a quick acting height adjustment and a fine adjusting screw
- Height locking ring and capable of holding up to 2,000 pounds
- Available in standard and magnetic styles
- Magnetic style makes chip clean-up easier

Item #	Description	List Price	SALE
9638955	Adjustable jack screw, 1.693 to 2.402"	\$19.00	\$17.00
9638956	Adjustable jack screw, 2.599 to 3.150"	\$15.00	\$13.00
9638957	Adjustable jack screw, 3.150 to 5.630"	\$29.00	\$26.00
9638958	Adjustable jack screw, 4.921 to 9.450"	\$37.00	\$33.00



Item #	Description	List Price	SALE
9638965	Magnetic adjustable jack screw 1.575" to 2.165"	\$55.00	\$49.00
9638966	Magnetic adjustable jack screw 1.969" to 2.559"	\$59.00	\$53.00
9638967	Magnetic adjustable jack screw 2.559" to 3.347"	\$78.00	\$70.00
9638968	Magnetic adjustable jack screw 3.347" to 4.331"	\$87.00	\$78.00
9638969	Magnetic adjustable jack screw 4.331" to 6.496"	\$104.00	\$93.00



JACK SCREWS SETS

Item #	Description	List Price	SALE
9638959	Jack Screw set 2.756" to 5.906" w/pads	\$212.00	\$190.00
9638960	Jack Screw set 3.937" to 9.055" w/pads	\$347.00	\$312.00



WORKSTOP

Item #	Description	List Price	SALE
9625916	Workstop for 4" Dual Force Vise	\$115.00	\$103.50
9625917	Workstop for 5" Dual Force Vise	\$130.00	\$117.00
9625918	Workstop for 6" Dual Force Vise	\$168.00	\$151.20
9625919	Workstop for 8" Dual Force Vise	\$220.00	\$198.00



RAPID INDEXER

Palmgren's useful two directional rapid indexer is a good alternative to a machine vise for holding round, irregular or square parts for milling and drilling operations. It has a 3-jaw chuck fitted on the horizontal/vertical indexing base for accurate, secure clamping and rapid positioning.

- 5" self-centering 3-jaw chuck – with two sets of jaws
- Internal or external clamping
- Can be mounting either horizontally or vertically
- Table scale 1° for angular indexing
- Graduated 360° with 24 rapid notches at 15° each
- Locking handle
- Optional tailstock – Item number 9634214



Item #	Description	List Price	SALE
9634125	Rapid Indexer with 5" 3 jaw chuck	\$595.00	\$505.00

TOOLMAKER'S VISES

These vises are built for ultra precision grinding and inspection applications. Solid one piece body, precision ground and heat treated to 55 HRC then tempered to ensure stability and durability.

- Top, sides and bottom are precision ground square and parallel
- Screw type moveable jaw
- Parallelism: 0.0001"
- Squareness: 0.0002"



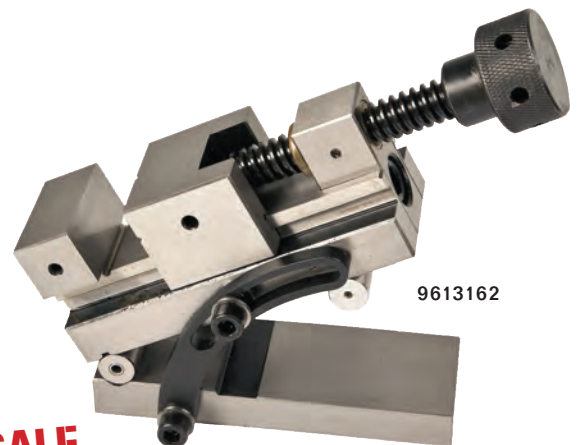
9613152

Item #	Description	List Price	SALE
9613152	Toolmakers vise, 2"	\$208.00	\$188.00
9613154	Toolmakers vise, 4"	\$579.00	\$520.00

ANGLE SINE VISES

Solid one piece body, precision ground and heat treated to 55 HRC then tempered to ensure stability and durability. Minute angle steps allow for very small angles to be set with ease using standard gauge blocks.

- Top, sides and bottom are precision ground square and parallel
- Screw type moveable jaw
- Parallelism: 0.0004"
- Squareness: 0.0004"



9613162

Item #	Description	List Price	SALE
9613162	Angle sine vise, 2"	\$341.00	\$306.00
9613164	Angle sine vise, 4"	\$679.00	\$610.00

PALMGREN[®]
a CH Hanson brand

FRIENDS OF PALMGREN SPECIAL OFFERS
WORKHOLDING SALES EVENT

2018SFWH1



Prices subject to change without notice.