



NEW



**SIDEWINDER™ Vise For 2nd Op Work Holding.
Mounts To Any Kurt Industry Standard 6" Vise.**



Models: SDW25 SideWinder™



The Kurt SideWinder is a vise that mounts vertically to the back of any Kurt 6" vise with an integral bracket. The bracket will include a stabilization leg that will mount to the table on the movable end of the vise and a workstop to position the height of the part.

Purpose:

For doing 2nd op work holding the part vertically rather than horizontally.

Advantage:

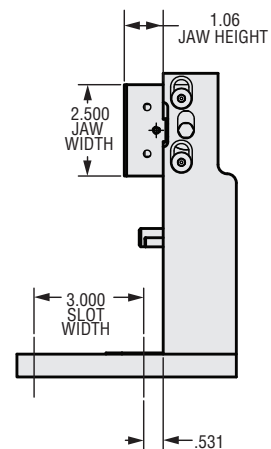
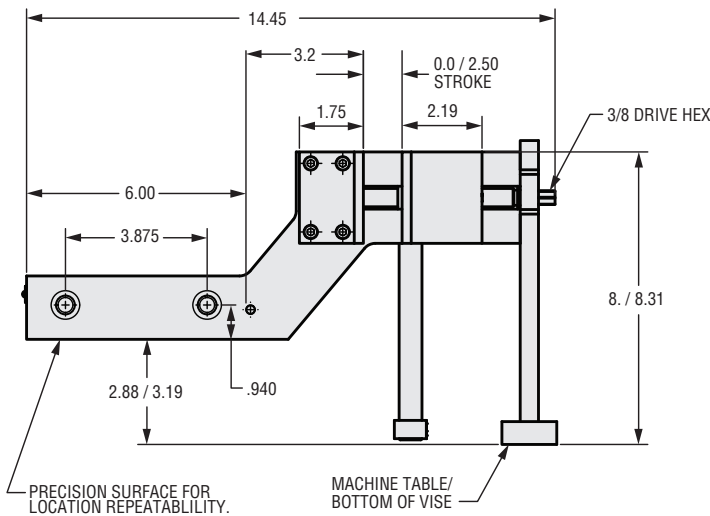
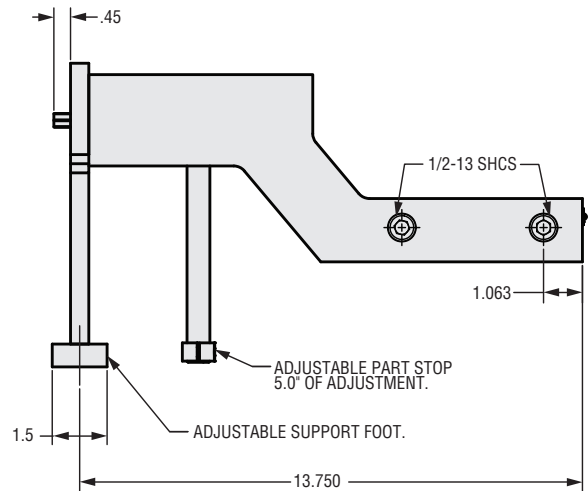
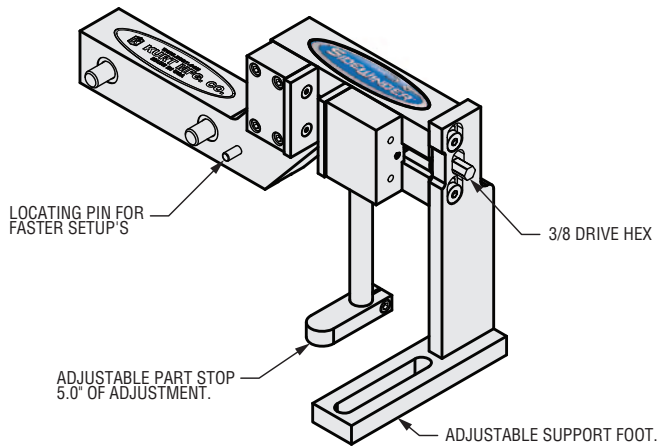
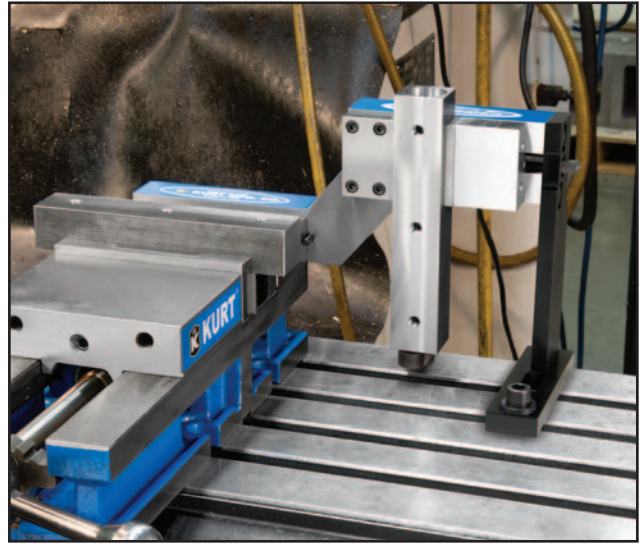
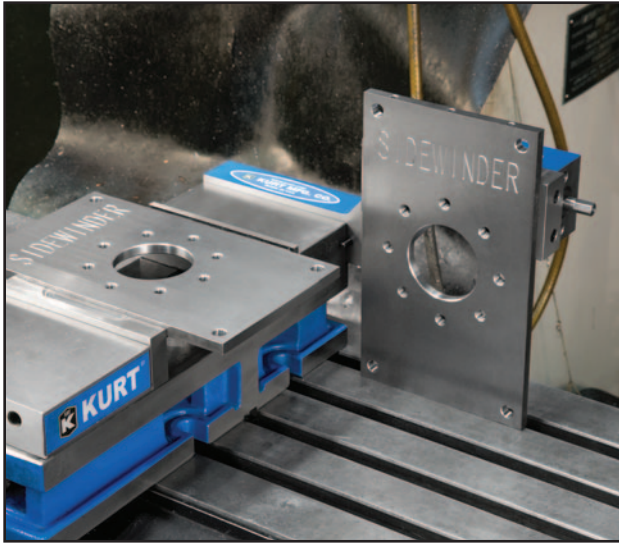
- Saves set up time for 2nd op vertical work
- Machining can be done on both vises in the same setup
- Vise is at an elevated position which is more conducive to longer reach machining
- Has a stabilizer foot for vibration control
- Can be mounted to any Kurt industry standard 6" vise
- Has a round nut which controls deflection to a greater degree
- Does not interfere with the host vise
- Pull type vise
- AngLock design

Features:

- Jaw Width: 2.500"
- Jaw Height: 1.063"
- Max Opening: 2.500"
- Max Clamping Force: 2,450 Lbs.
- Adjustment Range of Workstop: 0"- 4.313"
- Hex Size: 0.375"
- Overall Bracket Width: 14.000"
- Hex Length: 0.453"
- Weight: 19lbs
- Patent Pending

Torque-Ft. Lbs.	Clamping Force-Lbs.
4	580
6	880
8	1120
10	1540
12	2450







KURT

PH 763.574.8309 email workholding@kurt.com www.kurtworkholding.com



Find more of what you're looking for at www.kurtworkholding.com

Kurt™ Manufacturing

Industrial Products Division

9445 E. River Road NW

Minneapolis, MN 55433

Tel: (763) 574-8309

Fax: (763) 574-8313

Toll Free (US Only): 1 (877) 226-7823

Toll Free Fax (US Only): 1 (877) 226-7828

email address: workholding@kurt.com

website address: www.kurtworkholding.com

Kurt, AngLock, ArmLock, CarvLock, ClusterTower, D688, DLU4, DL430, DoubleLock, Groove Lock, InnerLock, Versatile Lock, SeraLock, CT430, CTU4 are registered trademarks of Kurt Manufacturing.

PowerLock, ToolBlox and SideWinder are trademarks of Kurt Manufacturing.

Printed in USA © Copyright. All rights reserved
LIT.FLY.SDW25.0912.01

Distributor



On standard Kurt Workholding products

An Employee
Owned Company